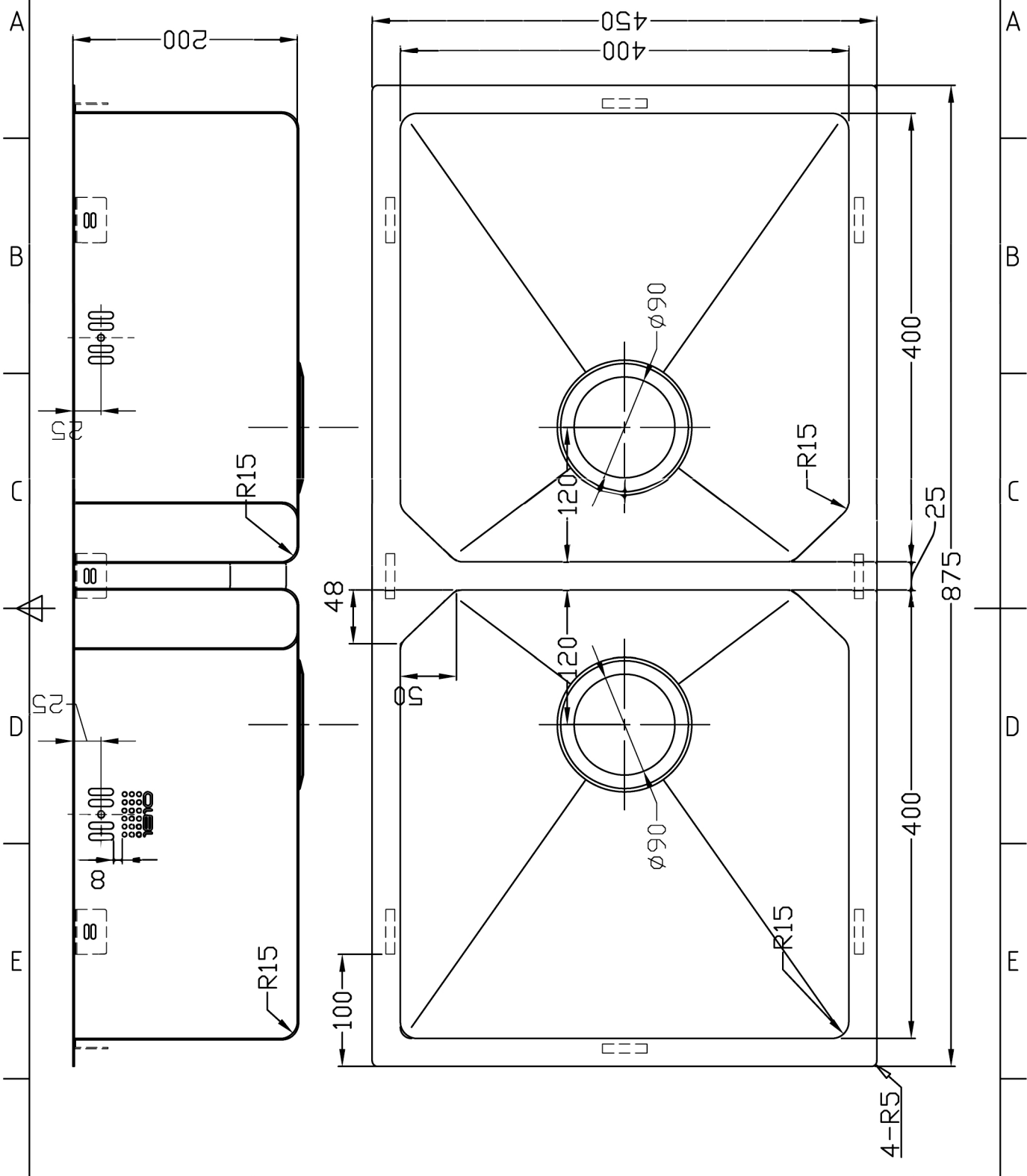


RevNo	Revision note	Date	Signature	Checked
1				
2				
3				
4				



Designed by	Checked by	Approved by - date	Material S/S 304 T=1.2mm	Date 2017-3-14	Scale 1:7
The 1810 Company			DRAWING NO.:	875U-R15	Edition 0
					Sheet 870X1700X1